

Overview

Aluminium Preformed Tension Clamp For Aerial Bundle Cable Four Cores 35mm²

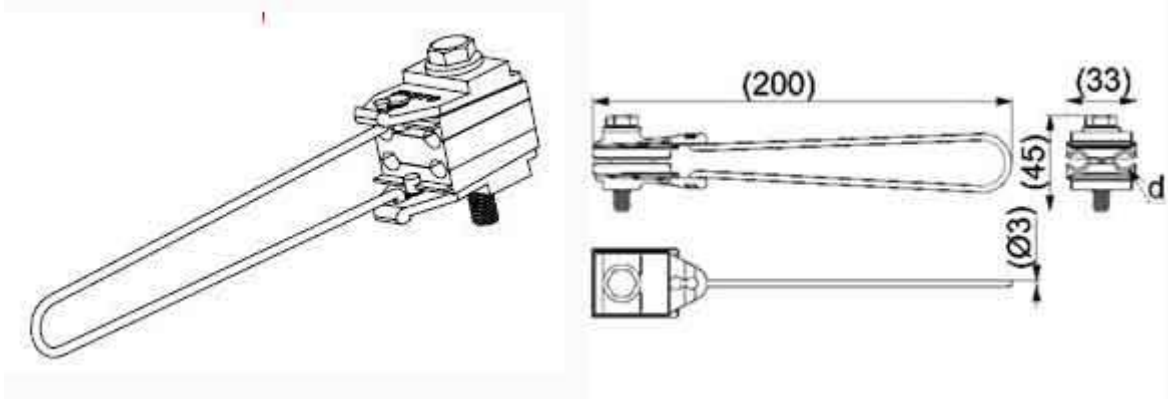
The aluminum alloy body anchor clamp is suitable for low-voltage ABC cable. Wedge-type anchoring clamps are intended for fastening of aerial bundle cables on trunk lines or their branches. The clamps provide the required tension of the cable over the span length. The clamp made of high strength aluminum alloy which clamp the neutral messenger without damaging the insulation.

Features:

According to NF C 33 042

Easy to open bail permits fixing to brackets and pigtails

Tool free installation with wedges sliding inside the body

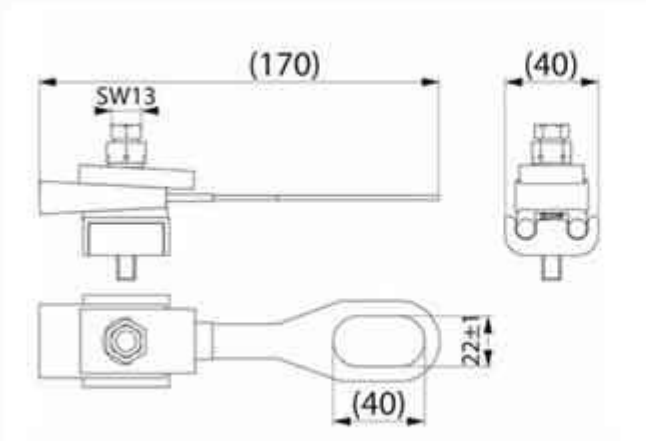


Russian Market Used Weather Proof Aluminum Alloy Overhead Cable Clamp For 4 cores ABC cable conductor

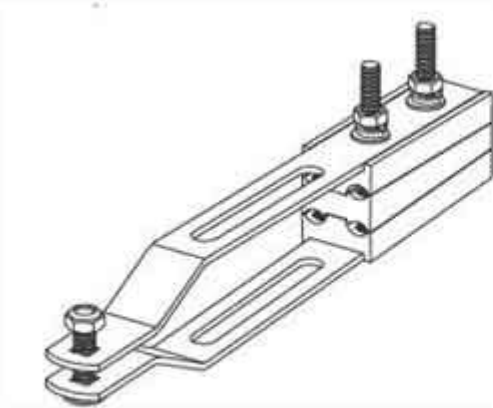


Aluminium Preformed Tension clamp for the anchoring of 2-core overhead cables to poles or walls by standard hooks

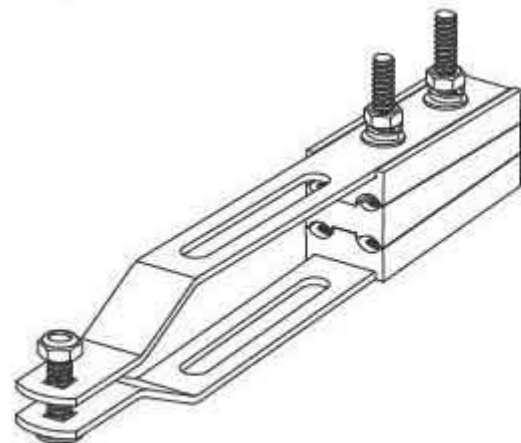
Tension clamp for the anchoring of 2-core 2x(16-35) mm² overhead cables to poles or walls by standard hooks. Tension clamp is equipped with a spring to make the installation easier.



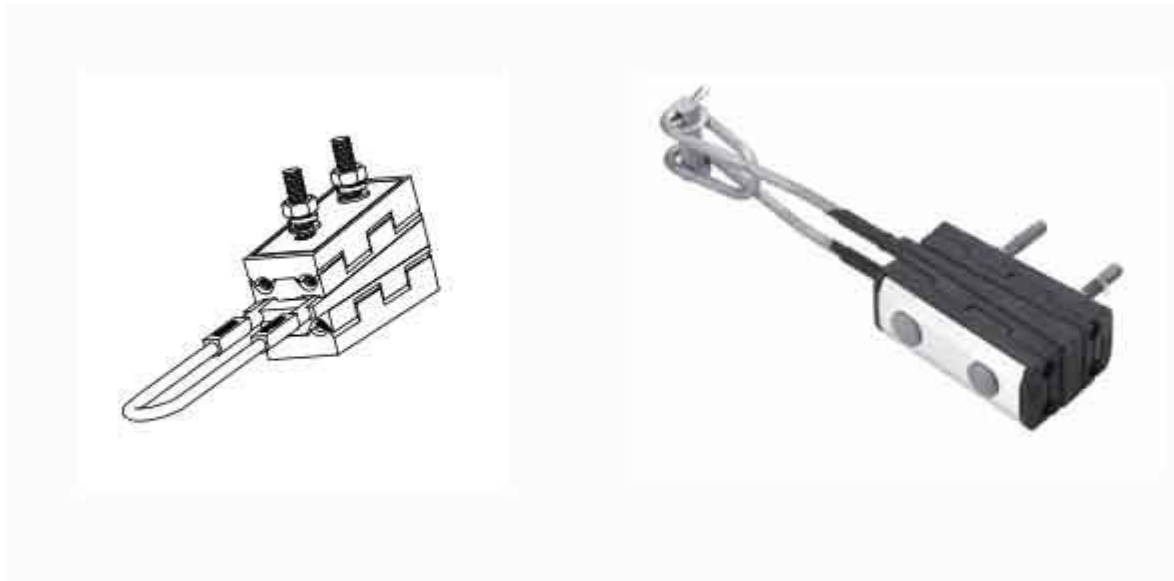
NES 4 4ore Cable 120mm² Aluminum Body Galvanized Steel Helical Tension Clamp Hot Dipped Guy Spiral Grip Dead End



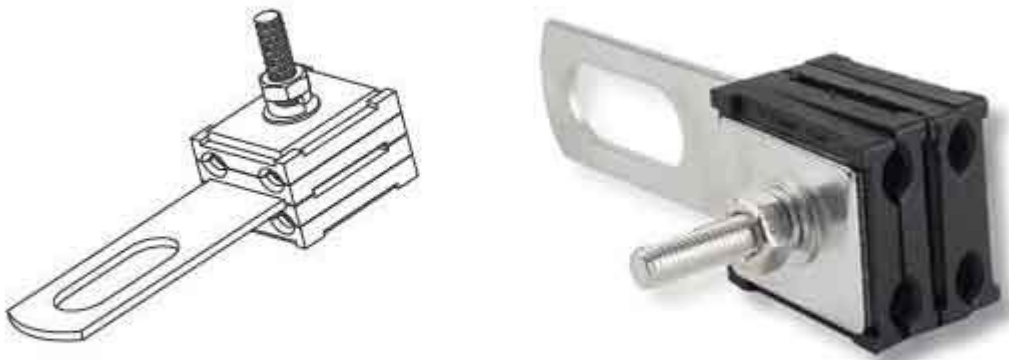
Hop Dip Aluminum Body Preformed Guy Grip Dead Tension Clamp Strain Clamp For 4 Cores ABC Cable Conductor 50mm²



Hot Dip Galvanized Aluminium Alloy Body Dead End Tension Clamp For Insulated Messenger Neutral



Weather Proof Aluminum Alloy Dead End Clamp For 2 Or 4 Cores ABC Cable Conductor



Parameter

Item No.	Cross section (mm ²)	Material	Conductor(mm)	Breaking load
ZC157	2X(16-35)	Nylon,Steel	3-6	6.5KN
ZC158	4X(16-35)	Nylon,Steel	3-6	8KN
ZC80	2X(16-35)	Nylon,Steel	3-6	22KN
ZC160	2X(16-35)		4-8	6KN
ZC161	4X(16-35)		4-8	8KN

NES-50	4X(16-50)		11-14	20KN
NES-120	4X(50-120)		14-16	30KN
PAT-50H	4X(16-50)		11-14	20KN
PAT-95H	4X(70-95)		14-16	30KN
ZCR-50	4X(25-50)		10-12	15KN
ZCR-120	4X(50-120)		11-17	30KN
ZCD-435	4X(16-35)		4-11	15KN